

TEST MODE 55# PROGRAMMING
(MOTOROLA CELLULAR HANDSET REQUIRED)

1. Power down unit and insert jumper **JP0** (upper left-hand corner of PCB).
2. Power up unit *without* the cellular handset being attached.
3. Wait about 30 seconds for unit to completely power up.
4. Attach cellular handset to the transceiver and power handset up.
5. The handset will display randomly flashing numbers.
6. Press the # key, the handset will display **US'**, now press **55 #**.
7. The handset will display the System ID (SID) Number.

Typically, the only programming changes required are as follows:

Entry **01** 5 Digit System ID.
 Entry **03** 10 Digit Cellular Phone Number.
 Entry **06** 2 Digit Group ID Mark.

The star key (*) advances you through the programming locations.
 Numbers in **BOLD** are Factory Defaults.

NAM Location:

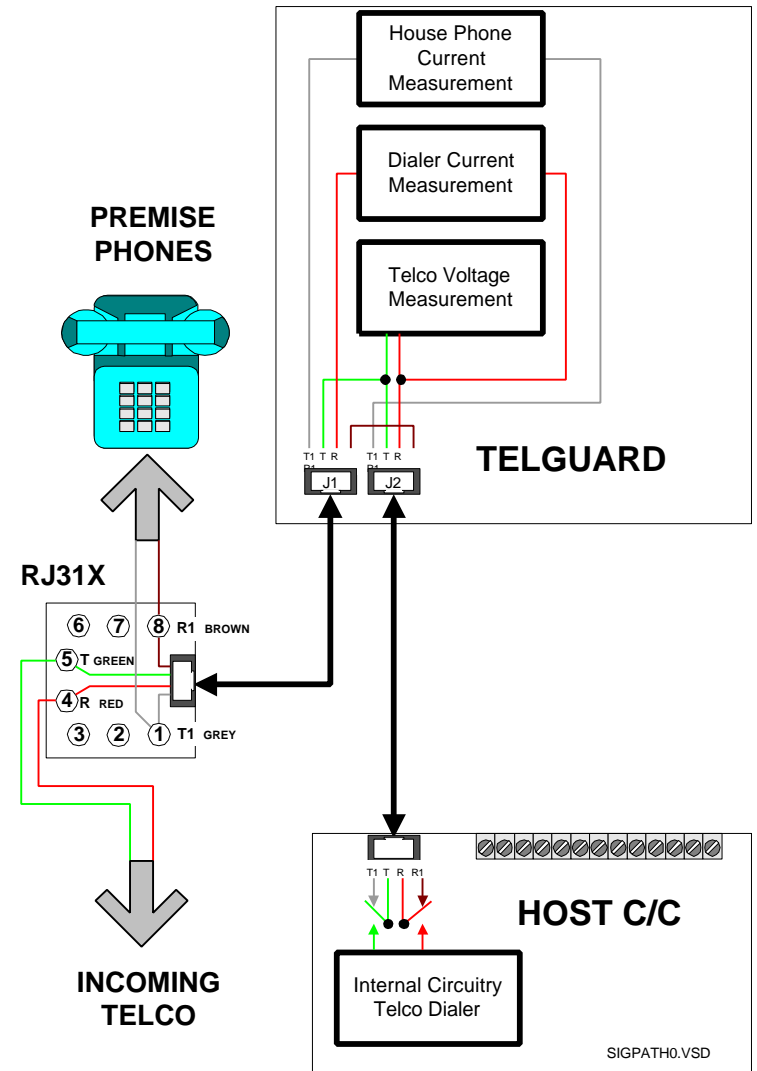
Example:

01 - System ID Number (SID)	00042	Press *
02 - A Option Byte	10101001	Press *
03 - 10 Digit Cellular Phone Number	941-910-9911	Press *
04 - Station Class Mark (SCM)	08	Press *
05 - Access Overload Class (AOC)	15	Press *
06 - Group ID Mark (GIM)	10	Press *
07 - Security Code	000000	Press *
08 - Unlock Code	123	Press *
09 - Service Level	004	Press *
10 - B Option Byte	00000101	Press *
11 - C Option Byte	00000000	Press *
12 - Initial Paging Channel (IPCH)	0333 or 0334	Press *
13 - Initial Paging Channel for System A	0333	Press *
14 - Initial Paging Channel for System B	0334	Press *
15 - Number of Dedicated Paging Channels	021	Press *
16 - D Option Byte	10111011	Press *

8. The handset will display “ / “ in the upper right-hand corner of the display.
9. Power down the handset and unplug it.
10. Put jumper **JP4 In** for B carrier. Put jumper **JP4 Out** for A carrier.
11. Remove jumper **JP0** and reset unit by powering it down and back up again.

TELGUARD CLASSIC
QUICK INSTALLATION GUIDE
MODELS: T-1630M, T-1630MA, T-1110M, T-1210M, T-3100UL

WIRING DIAGRAM



The TELGUARD has to be the first device on the incoming telco line. No telco device can be in front of or in parallel with the TELGUARD or a Line Fault condition will occur.

SAVE A TRIP!

CONFIRM THAT CELLULAR SERVICE HAS BEEN ACTIVATED PRIOR TO INSTALLATION.

FIVE STEP INSTALLATION SUMMARY

STEP 1: Confirm Voice Communication Over Cellular.

(Reference Step 1 in Installation Manual)

- (1) Locate unit.
- (2) Connect and temporarily place antenna.
- (3) Connect lineman's buttset or cellular handset.
- (4) Measure maximum signal strength for best antenna placement.
- (5) Make call over cellular to ensure minimum noise level.
- (6) Remove lineman's buttset/cellular handset.

STEP 2: Transmit Alarm Signals Over Cellular.

(Reference Step 2 in Installation Manual)

- (1) Prepare C/C.
- (2) Connect C/C to TELGUARD Jack 2.
- (3) Verify cellular transmissions.

STEP 3: Connect Incoming Telco Line.

(Reference Step 3 in Installation Manual)

- (1) Be sure TELGUARD is the first device on the incoming phone line.
- (2) Connect RJ31X to TELGUARD Jack 1 and check switch to telco.
- (3) Disconnect incoming telco at Jack 1 and check switch to cellular.
- (4) Reconnect incoming telco at Jack 1 and check switch back to telco.

STEP 4: Connect Supervisory Trip Outputs.

(Reference Step 4 in Installation Manual)

- (1) Decide on a supervisory trip output strategy.
- (2) Connect trip outputs.
- (3) Check trips to C/C.

STEP 5: Complete the Installation.

(Reference Step 5 in Installation Manual)

- (1) Enable the Automatic Self-Test (if appropriate).
- (2) Enable the Comms Fail Feature (if appropriate).
- (3) Check all jumper settings.
- (4) Permanently mount and properly ground the TELGUARD chassis.
- (5) Disconnect the 10 dB attenuator (if used).

BUTTSET NAM PROGRAMMING

1. Power unit down, insert jumper **JP8**, power unit back up again.
2. Clip buttset on **T** and **R** Test Points on right hand edge of PCB.
3. Once LEDs start to alternate, put buttset in talk mode and press **8**.
4. Wait for **ASTC** LED to come on (you are in location **01**).

NAM Location:

<u>NAM Location:</u>	<u>Example:</u>	
01 - System ID Number (SID)	00042	Press **
02 - Cellular Area Code	352	Press **
03 - Cellular Phone Number	111-0111	Press **
04 - Station Class Mark	08	Press **
05 - Access Overload Class	15	Press **
06 - Group ID Number	10	Press **
07 - Security Code	000000	Press **
08 - Unlock Code	123	Press **
09 - Initial Paging Channel ^{Note}	0334 or 0333	Press **
10 - Other Options	011100	Press **
11 - More Options	1101	Press **

^{Note} - 0334 (B carrier) 0333 (A carrier)

5. Press ** on buttset.
6. Wait for LEDs to alternate, power unit down and remove jumper **JP8**.
7. Put jumper **JP4 IN** for B carrier. Put jumper **JP4 Out** for A carrier.
8. Power unit back up again.

JUMPER FUNCTIONS	
JP0	OUT = NORMAL IN = TRANSCEIVER TEST MODE.
JP1	OUT = NORMAL IN = LED SIGNAL STRENGTH MODE.
JP2	OUT = 30 SEC. LFC TRIP DELAY. IN = 60 SEC.
JP3	IN = 60 SEC. NSC TRIP DELAY. OUT = 30 SEC.
JP4	IN = SCAN B CELLULAR PROVIDER. OUT = SCAN A
JP5	OUT = 30 SEC. CFC BETWEEN EVENTS. IN = 60 SEC.
JP6 + JP7 = CFC ATTEMPTS	
OUT + OUT	CFC DISABLED.
IN + OUT	CFC SWITCH AFTER 4 ATTEMPTS.
OUT + IN	CFC SWITCH AFTER 4 ATTEMPTS.
IN + IN	CFC SWITCH AFTER 8 ATTEMPTS.
JP8	OUT = NORMAL IN = TELEPHONE PROGRAMMING MODE
JP9 + JP10 = AUTO SELF TEST FREQ	
OUT + OUT	AUTO SELF TEST DISABLED.
IN + OUT	AUTO SELF TEST WEEKLY.
OUT + IN	AUTO SELF TEST WEEKLY.
IN + IN	AUTO SELF TEST EVERY 4 WEEKS.
JP11	OUT = NO DELAY ASTC INITIAL DELAY. IN = 12 HOURS.
JP12	OUT = NORMAL IN = CELSWITCH.
JP13	OUT = NORMAL IN = DELETE 1st DIGIT ON CELLULAR
JP14	OUT = DIAL THROUGH MODE IN = MEMORY RECALL MODE
JP15	OUT = NORMAL IN = FORCED CELLULAR. FACTORY USE ONLY
JP16	IN = TELCO OUT = PBX.

NOTE: BOXED AREA REPRESENTS FACTORY DEFAULT SETTING.